

PT0576448-B9 SERIES

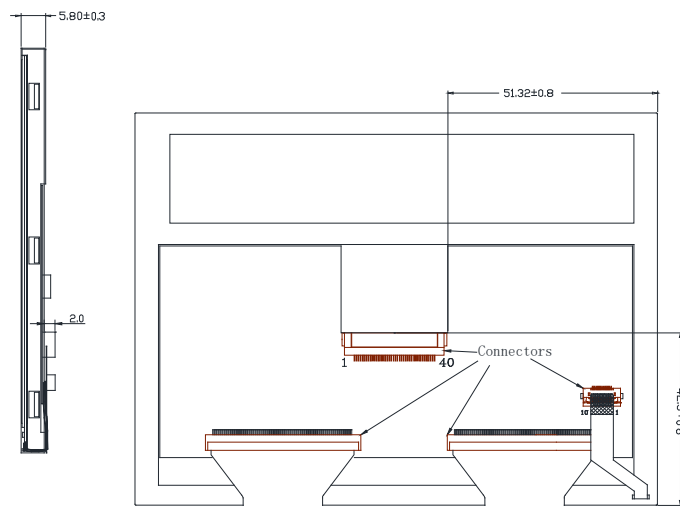
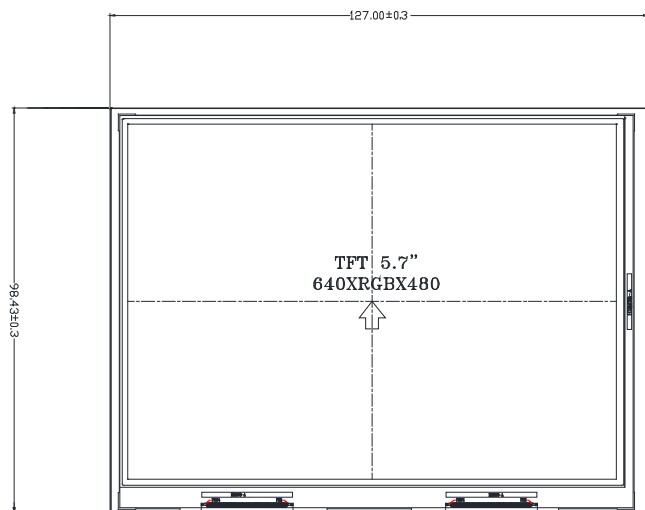
(640*RGB*480 DOTS)



龐誼科技股份有限公司

Palm Technology Co., Ltd.

EXTERNAL DIMENSION



PIN CONNECTIONS

PIN NO	1	2	3	4	5	6	7	8	9	10
SYMBOL	U/D	NC	HSYNC	VLED	VLED	VLED	VCC	VSYNC	DE	X2
PIN NO	11	12	13	14	15	16	17	18	19	20
SYMBOL	Y1	ADJ	B5	B4	B3	VSS	B2	B1	B0	VSS
PIN NO	21	22	23	24	25	26	27	28	29	30
SYMBOL	G5	G4	G3	VSS	G2	G1	G0	VSS	R5	R4
PIN NO	31	32	33	34	35	36	37	38	39	40
SYMBOL	R3	VSS	R2	R1	R0	X1	Y2	DCLK	VSS	L/R