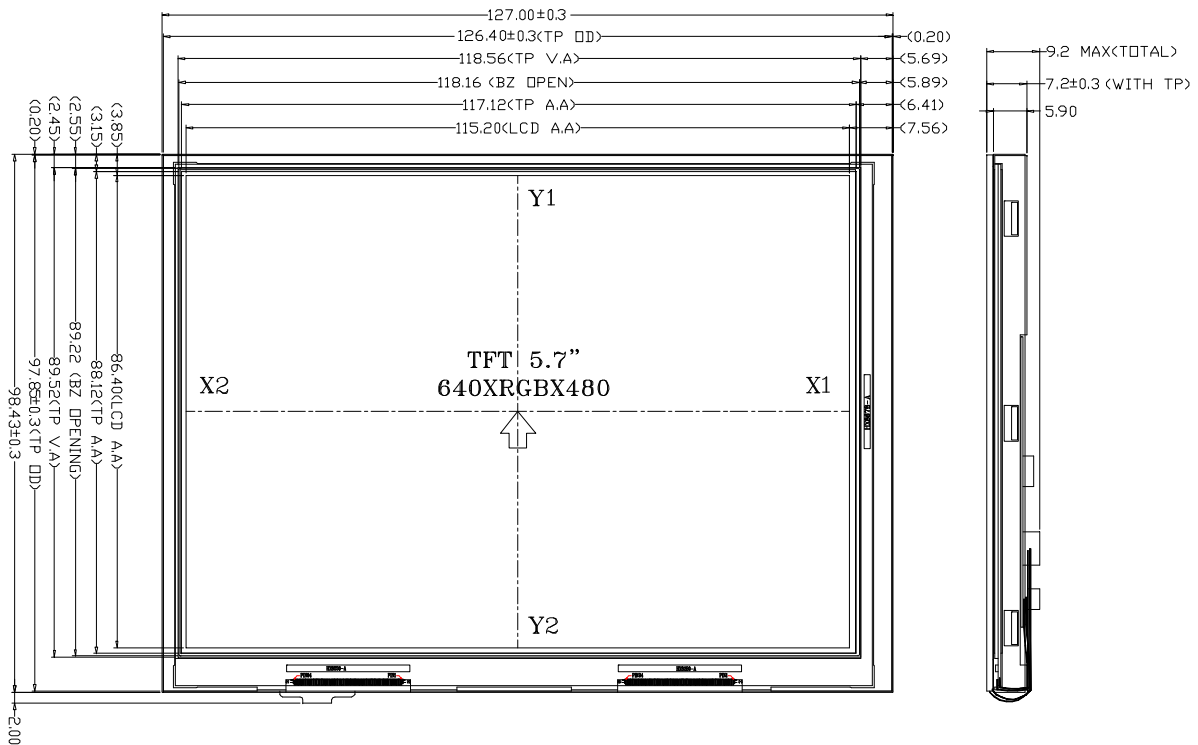


# PT0576448-A101 (640\*RGB\*480 DOTS)



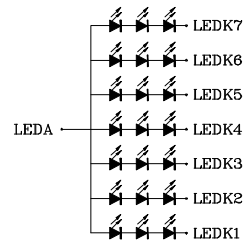
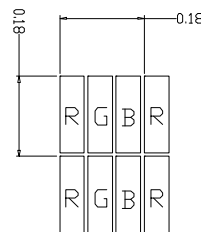
魔誼科技股份有限公司  
Palm Technology Co., Ltd.

## EXTERNAL DIMENSION



### NOTES:

- 1.DISPLAY TYPE: 5.7 TFT 640\*RGB\*480
- 2.VIEW DIRECTION: 6 O'CLOCK
- 3.OPERATING TEMP: -20°C~+70°C
- 4.STORAGE TEMP: -30°C~+80°C
- 5.ROHS COMPLIANT
- 6.UNMARKED TOLERANCE:±0.2



LED CIRCUIT DIAGRAM  
9.6V@140mA

## PIN CONNECTIONS

<b>PIN NO</b>	<b>1</b>	<b>2</b>	<b>3</b>	<b>4</b>	<b>5</b>	<b>6</b>	<b>7</b>	<b>8</b>	<b>9</b>	<b>10</b>
<b>SYMBOL</b>	<b>U/D</b>	<b>NC</b>	<b>HSYNC</b>	<b>VLED</b>	<b>VLED</b>	<b>VLED</b>	<b>VCC</b>	<b>VSYNC</b>	<b>DE</b>	<b>X2</b>
<b>PIN NO</b>	<b>11</b>	<b>12</b>	<b>13</b>	<b>14</b>	<b>15</b>	<b>16</b>	<b>17</b>	<b>18</b>	<b>19</b>	<b>20</b>
<b>SYMBOL</b>	<b>Y1</b>	<b>ADJ</b>	<b>B5</b>	<b>B4</b>	<b>B3</b>	<b>VSS</b>	<b>B2</b>	<b>B1</b>	<b>B0</b>	<b>VSS</b>
<b>PIN NO</b>	<b>21</b>	<b>22</b>	<b>23</b>	<b>24</b>	<b>25</b>	<b>26</b>	<b>27</b>	<b>28</b>	<b>29</b>	<b>30</b>
<b>SYMBOL</b>	<b>G5</b>	<b>G4</b>	<b>G3</b>	<b>VSS</b>	<b>G2</b>	<b>G1</b>	<b>G0</b>	<b>VSS</b>	<b>R5</b>	<b>R4</b>
<b>PIN NO</b>	<b>31</b>	<b>32</b>	<b>33</b>	<b>34</b>	<b>35</b>	<b>36</b>	<b>37</b>	<b>38</b>	<b>39</b>	<b>40</b>
<b>SYMBOL</b>	<b>R3</b>	<b>VSS</b>	<b>R2</b>	<b>R1</b>	<b>R0</b>	<b>X1</b>	<b>Y2</b>	<b>DCLK</b>	<b>VSS</b>	<b>L/R</b>